



WARNING



Nickel Metal Hydride Battery

Regular charge 8 hours

Do not use non-rechargeable batteries. Only use the NiMH batteries and power supply/charger provided by Ken-A-Vision. Replacement Power supply - catalog no. VFPS110R-2 (110v) VFPS230R-2 (230v)

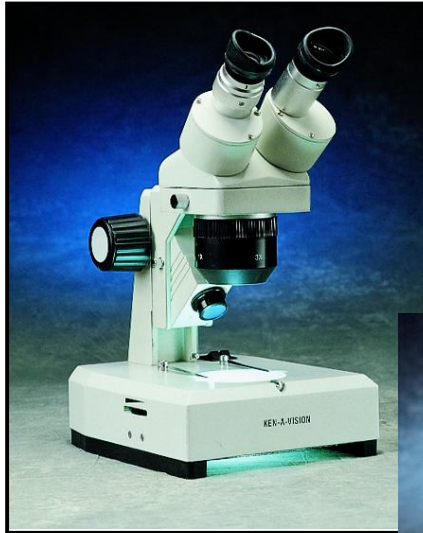
Replacement Battery - catalog no. VFBATBU2

Do Not put battery pack in fire or mutilate, battery may burst or release toxic materials that may cause burns!

WARRANTY: TEN YEAR WARRANTY AGAINST DEFECTIVE PARTS AND WORKMANSHIP. EXCLUDES BULB AND BATTERY.

Ken-A-Vision has quality technicians on staff to repair or service your microscope. Contact us at 1.816.353.4787 for more details.

Ken-A-Vision reserves the right to make design improvements and other changes in accordance with the latest technology. There is no obligation to make changes in products already manufactured. Patents Pending. ©2002 Ken-A-Vision Corporation.



KEN-A-VISION MANUFACTURING Co., Inc.

5615 Raytown Road, Kansas City, MO 64133 U.S.A Tel. 816-353-4787 Fax.

816-358-5072 Email: info@ken-a-vision.com www.ken-a-vision.com

kav.instman.cordless704.pc.v2
Part# INS-SC5C

Cordless Vision

Supplemental Instruction Manual

T-2200C Series

T-2400C

T-2600C

INSTRUCTIONS FOR CHARGING YOUR KEN-A-VISION CORDLESS STEREOSCOPE

1. Plug in the round pin adapter from the power supply to the back of your stereoscope.
2. Then connect the opposite end to a 110v (220v international) electrical outlet.
3. With 1 over-night charge you can use your stereoscope for up to 15 hours of continuous operation.
4. You do not have to fully discharge or drain the battery to recharge.

TECHNICAL SPECIFICATIONS

- Power Source Life: 500 Cycles (*approximately 4-5 years depending on usage*)
- Light Source: "Proprietary Light Board" Technology Equivalent to a 20 Watt Bulb
- Power Source: Built-in rechargeable NiMH (Nickel Metal Hydride)
- "Light Board" Life 100,000 Hours
- Cool Operating Temperature Less Than 25°C (75°F)
- 10 year limited warranty on stereoscope.

EQUIPMENT RATING:

DESCRIPTION OF INPUT OUTPUT CONNECTION

Should you need a replacement power supply/charger, contact Ken-A-Vision or your dealer. When using internationally, be sure to use the correct AC voltage either 110V, 220V, or 240V output voltage catalog (230v part # VFPS230R-2 or 110v part #VFPS1209300R). Output voltage is 9 volt DC 300mA and a 2.5 mmV barreled styled center position plug. connection of:



The power supply/charger are made exclusively for the Ken-A-Vision Cordless Stereoscope. Failure to use non-Ken-A-Vision parts will void the warranty of your stereoscope.

Note: This equipment has been tested and found to comply with the limits for UL Standard 61010A-1.

ENVIRONMENTAL CONDITIONS

This equipment is designed to be safe at least under the following conditions:

- indoor use;
- altitude up to 2 000 m
- temperature 5° to 40°C;
- maximum relative humidity 80% for temperatures up to 31°C decreasing linearly to 50% relative humidity at 40°C;
- main supply voltage fluctuations not to exceed +/- 10% of the nominal voltage;
- transient overvoltages according to installation categories;
- Pollution Degree 2 in accordance with IEC661
Normally non-conductive pollution occurs. Occasionally, however, a temporary conductivity caused by condensation must be expected.

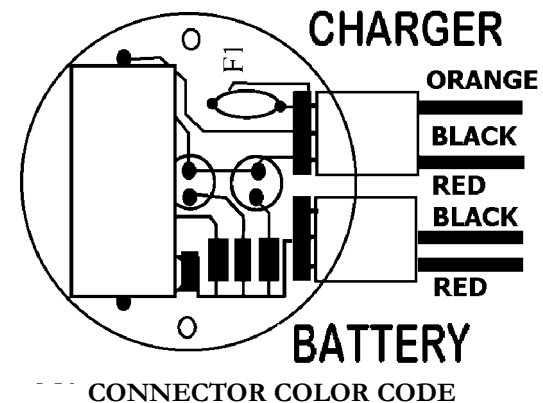
EQUIPMENT MAINTENANCE

The battery type is NIMH (Nickel Metal Hydride) part # VFBATBU2
Should you need a replacement power supply/charger, or battery, contact your nearest Ken-A-Vision dealer.

INSTRUCTIONS FOR REPLACEMENT OF CHARGER

Remove the connector cable marked battery from the light board. Next remove the old NIMH battery and properly discard.

To replace the NIMH battery simply plug in the cables to the appropriate color codes as indicated below. Secure the velcro strips to the battery and affix to the bottom of your stereoscope.



screwdriver (1.5mm) into hole on right side near the top of the base.

c. Turn the stage plate lock screw one to two turns counter clockwise. Carefully remove the stage plate, the lamp holder for the bottom light source should now be in view and accessible.

d. Gently pull up on the lamp to unclip the fuse type bulb from the holder. Press the new lamp into place.

e. Replace the stage plate. Tighten the Stage Plate lock screw until snug. Do not over tighten.

Replacement of Upper Light Source

a. Unplug the microscope from the wall outlet.

b. With microscope facing you look on the right side of the upper light cover housing. Locate the upper light housing lock screw and turn it counter clockwise. Completely remove the screw.

c. Pull down on the upper light cover to remove it from the bracket. Gently remove the lamp from the lamp holder. Push new lamp into the holder.

e. Replace the cover and the cover lock screw. Take care that the lamp is positioned in the center of the lamp holder to avoid contact with the lock screw.

Replacement bulbs may be purchased on Ken-A-Vision web site under accessories at www.ken-a-vision.com

CARE AND MAINTENANCE

Your microscope is a fine precision instrument and should be treated with care. When not in use it should be protected from dust by the plastic cover provided. Lenses and mirror should be cleaned periodically with optical lens tissue which is soft and lint free. Painted surfaces can be cleaned with a moistened cloth.

Ken-A-Vision has quality technicians on staff to repair or service your microscopes. Contact us at 1.816.353.4787 for more details.

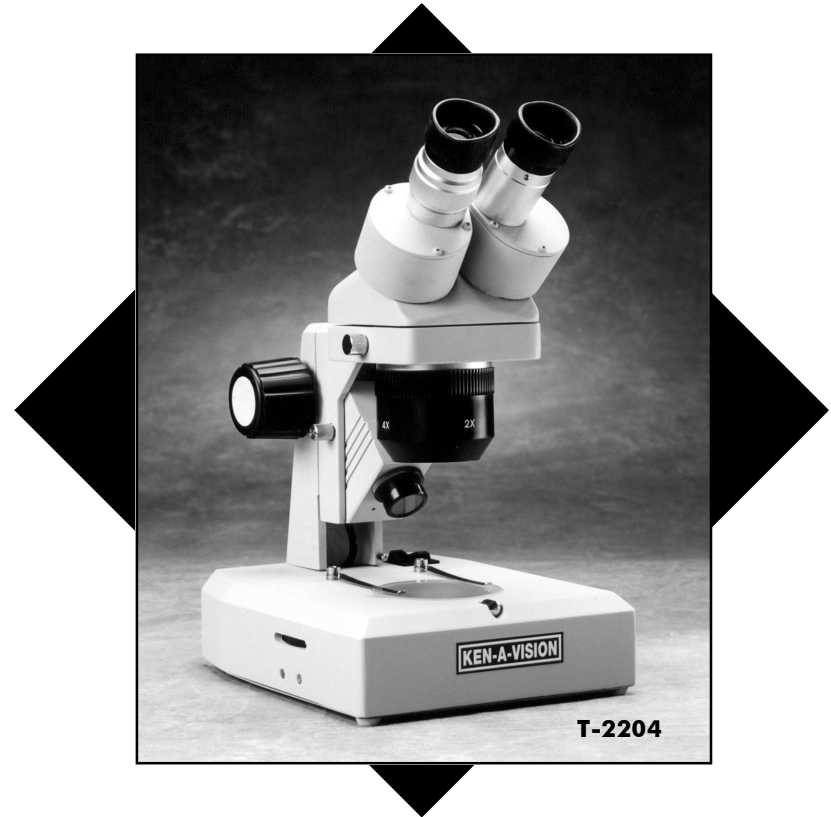
WARRANTY: TEN YEAR WARRANTY AGAINST DEFECTIVE PARTS AND WORKMANSHIP.



KEN-A-VISION MANUFACTURING Co., Inc.

5615 Raytown Road, Kansas City, MO 64133 U.S.A Tel. 816-353-4787

Fax. 816-358-5072 Email: info@ken-a-vision.com www.ken-a-vision.com



VisionScopes

Instruction Manual

T-2200 Series

T-2400

T-2600

VISION SCOPE

APPLICATION

Use Stereomicroscopes for viewing larger specimens. Our easy to view, high quality Vision Scopes will magnify the object 10 to 80 times. The T-2200 series and the T-2600 has fluorescent light below the stage, which keeps your specimen cool, and the halogen incident light above adjusts for more clarity. The T-2400 has both upper and lower tungsten lamps. With our value priced T-2400, T-2200 series and T-2600 Stereomicro-scope you'll find a Scope to meet your needs.

SPECIFICATIONS

Catalog#	T-2600	T-2200	T-2202	T-2204	T-2206	T-2400
Zoom Objective 1x to 4x	•					
Turret Objective 1x & 3x		•	•			
Turret Objective 2x & 4x				•	•	
Fixed Objective 2x						•
10x Widefield Eyepiece	•	•		•		•
20x Widefield Eyepiece			•		•	
Magnification	10x-40x	10x-30x	20x-60x	20x-40x	40x-80x	20x
Incident and Transmitted Tungsten Light						•
Incident Fluorescent and Transmitted Halogen Light	•	•	•	•	•	

MICROSCOPE PREPARATION

All these models are completely assembled. Remove the Vision Scope from the packing and any protective coverings from the lenses. Unpack the eyecups and slip them over the eyepieces.

Place head in support ring on base (excluding T-2400 model). Carefully check the thumb screws to be sure that the head is firmly attached to the base.

Check the coarse focus tension (T-2200 series & T-2600). The knobs are oversized were designed for better gripping. The coarse focus knob should turn easily to change the focus. Note that the arm will move up and down when focusing. On the T-2400 coarse adjustment is the single knob at the back of the pillar to raise or lower viewing head and fine adjustment is made with the 2 knobs on either side of the viewing head.

OPERATION

- Place the specimen you are viewing in the center of the stage.
- Accurately align the objective lens. Move the focus knob until the specimen comes into view. Note that the viewing head will move up and down when focusing.
- The eyepiece tubes will spread apart or get closer together to fit each individual. Place one hand on both eyepiece tubes and gently move them in or out from each other until you see a single image with both eyes.
- Adjust the diopter to adjust the focus for individual viewing.
- Turn off the power switch before connecting the power cord located on the side of the microscope. The Vision Scopes are equipped with an upper and lower illumination system. The upper light is a variable intensity halogen light and the lower light is a fluorescent light (Excluding model T-2400). The switch for the light is a three position switch so that the upper light can be on, or the lower light can be on, or both lights can be illuminated (Excluding model T-2400).
- Use the dimmer switch located on the side to adjust the transmitted light (Excluding model T-2400).

BULB REPLACEMENT (For T-2200 series & T-2600)

- Before changing the top illuminator bulb, make sure that the power switch is off and the power cord has been disconnected from the main supply. If upper lamp has been on for some time, the housing and bulb could be hot. Use caution when changing the bulb.
- Using Philips screwdriver, remove the four screws that hold on the feet.
- Remove the bottom plate from the unit.
- Grasp the bulb and gently pull the bulb from the socket. Replace with new bulb by pushing bulb into socket.
- Using a soft cloth, clean bulb to remove finger prints or oil after installation to insure long life.
- Replace the bottom cover. Screw the four feet into position at each corner of the base.

BULB REPLACEMENT (For T-2400)

Replacement of Bottom Light Source

- Unplug the microscope from the wall outlet.
- With microscope facing you insert small slotted