



ken-a-vision®
KNOWLEDGE THROUGH VISION

VisionScope 2

Instruction Manual

T-22001 T-22001C

T-22011 T-22011C

T-22021 T-22021C

T-22041 T-22041C

T-22051 T-22051C

T-22061 T-22061C

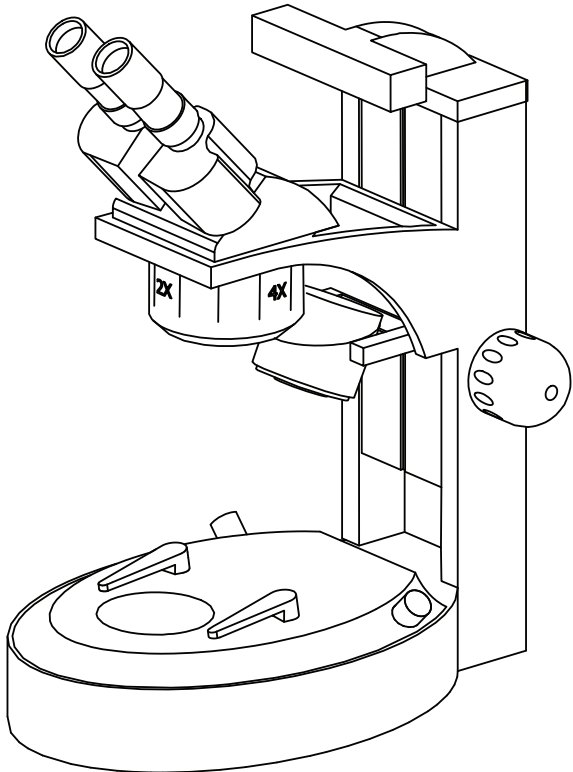


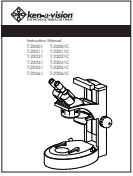
Table on Contents

Introduction	4
Packing Contents	5
Microscope Set-Up Guide	6
Specifications	8
Troubleshooting	11

Introduction

Thank you for purchasing the VisionScope 2. The VisionScope 2 is specifically designed to view large specimens and objects under our easy to view, high-quality objective lenses that will magnify 10 to 80 times. The VisionScope 2 series uses upper (incident) and lower (transmitted) LED lighting to keep your specimen cool. This line offers a built-in carrying handle, a wide and sturdy base, an easily adjustable rack-and-pinion focusing system, and a cordless charging system. The VisionScope 2 delivers robust functionality in a sleek design and is ideal for use in the classroom or in the field.

Packing Contents



Instruction Manual



Warranty Sheet



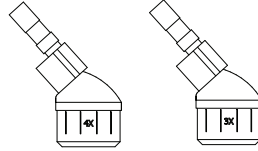
Microscope Cover



Two (2)
Eyepiece Guards



Two (2) Eyepieces



One (1) head
Either 1x / 3x or 2x / 4x



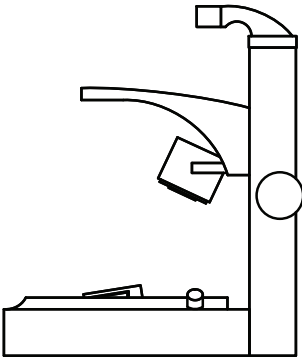
Black and White
Stage Plate



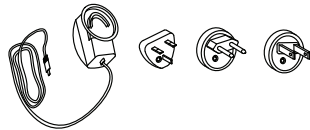
Frosted
Stage Plate



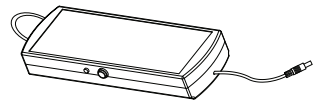
Objective Cover



Microscope Base



Power Supply with
Multiple plug clips



Cordless Power Supply
(included with cordless models)

Set-Up VisionScope 2 Stereomicroscope

The VisionScope 2 can be set up in a matter of minutes. To get the most out of this amazing teaching tool, follow these step-by-step directions:

1. After unpacking the box, remove the VisionScope 2 from the protective plastic bag and remove the protective coverings from the lenses on the head and the eyepieces.
2. Unpack the two (2) eyepiece guards and slip them over the two (2) eyepieces.
3. Place the microscope base on a flat, firm surface and place the frosted stage plate on the base.

NOTE: Use the reversible black and white stage plate when you wish to provide appropriate contrast of the object being viewed.

4. Place the head in the support ring on the microscope base.

NOTE: Carefully check the two thumb screws to be sure that the head is firmly attached to the base. DO NOT over tighten the screws.

5. Check the coarse focus knob on either side of the main support post. The coarse focus knob should turn easily.

NOTE: The head should move freely up and down the post when focusing. When you release the knob, the head should remain stationary, and not slide down the post on its own.

6. To operate a corded stereoscope, plug the small round plug into the back base of the microscope and the plug clip end into the power outlet.
7. All Cordless VisionScope 2 stereomicroscopes should immediately be plugged in after set up and allow the battery pack to charge over night.
 - a. Plug in the round pin adapter from the power supply to the back of your stereoscope.
 - b. Connect the opposite end to an 110V (220V International) electrical outlet.

NOTE: with one (1) overnight 8-hour charge, you can use the stereoscope for up to 15 hours of continuous operation as cordless. The cordless stereoscope can also be operated with the cord plugged in a power source.

- c. When not in use, plug in the cordless battery pack to keep at the optimal full charge for longer battery-life.
 - d. Should you need a replacement power supply/charger, or NiMH battery (Part # VFBATBU2), contact your nearest Ken-A-Vision dealer.
8. To focus on a specimen, remove the eyepiece guards and view the specimen on the desired objective lens.
- a. Adjust the two eyepieces for your personal comfort by sliding them in and out until a single image is seen with both eyepieces.
 - b. Focus the right eyepiece with the coarse focus knob.
 - c. Adjust the left eyepiece diopter (a ring that allows you to focus the left eye differently than the right eye, allowing for the difference in vision between your two eyes.)
9. Use the dimmer switch to adjust light intensity of the bottom (transmitted) light.

Specifications

Product Number		T-22001	T-22011	T-22021	T-22041
Standard Features					
	15.5cm Working Distance	•	•	•	•
	Low Voltage upper and lower illumination	•	•	•	•
	Upper and Lower Dimmer control	•	•	•	•
	26mm oversized eyepieces (2)	•	•	•	•
	Carry Handle	•	•	•	•
	Interchangeable heads	•	•	•	•
Heads					
SC613BH	Binocular 1X; 3X 30° Stereo Head	•	•	•	
SC624BH	Binocular 2X; 4X 30° Stereo Head				•
Stage Plate					
SC6FG	Stage Plate Frosted	•	•	•	•
SC6BW	Stage Plate Black & White	•	•	•	•
Eyepieces					
SC6EP5	5X 15.5cm/36mm WF eyepiece with eye guard				
SC6EP10	10X 15.5cm/36mm WF eyepiece with eye guard	•			•
SC6EP15	15X 15.5cm/36mm WF eyepiece with eye guard		•		
SC6EP20	20X 15.5cm/36mm WF eyepiece with eye guard			•	
Objective Lens					
SC6OB5	5X Threaded Objective				
SC6OB15	15X Threaded Objective				
SC6OB20	20X Threaded Objective				
Optional Accessory					
SC6RP	Vision Scope Rechargeable Battery Pack				
SC61EPR	Vision Scope Eyepiece reticle at 0.1mm				

			Cordless Models			
Product Number		T-22051	T-22061	T-22001C	T-22011C	
Standard Features						
	15.5cm Working Distance	•	•	•	•	
	Low Voltage upper and lower illumination	•	•	•	•	
	Upper and Lower Dimmer control	•	•	•	•	
	26mm oversized eyepieces (2)	•	•	•	•	
	Carry Handle	•	•	•	•	
	Interchangeable heads	•	•	•	•	
Heads						
SC613BH	Binocular 1X; 3X 30° Stereo Head					
SC624BH	Binocular 2X; 4X 30° Stereo Head	•	•			
Stage Plate						
SC6FG	Stage Plate Frosted	•	•	•	•	
SC6BW	Stage Plate Black & White	•	•	•	•	
Eyepieces						
SC6EP5	5X 15.5cm/36mm WF eyepiece with eye guard					
SC6EP10	10X 15.5cm/36mm WF eyepiece with eye guard			•		
SC6EP15	15X 15.5cm/36mm WF eyepiece with eye guard	•			•	
SC6EP20	20X 15.5cm/36mm WF eyepiece with eye guard		•			
Objective Lens						
SC6OB5	5X Threaded Objective					
SC6OB15	15X Threaded Objective					
SC6OB20	20X Threaded Objective					
Optional Accessory						
SC6RP	Vision Scope Rechargeable Battery Pack			•	•	
SC61EPR	Vision Scope Eyepiece reticle at 0.1mm					

Product Number		Cordless Models			
		T-22021C	T-22041C	T-22051C	T-22061C
Standard Features					
	15.5cm Working Distance	•	•	•	•
	Low Voltage upper and lower illumination	•	•	•	•
	Upper and Lower Dimmer control	•	•	•	•
	26mm oversized eyepices (2)	•	•	•	•
	Carry Handle	•	•	•	•
	Interchangeable heads	•	•	•	•
Heads					
SC613BH	Binocular 1X; 3X 30° Stereo Head				
SC624BH	Binocular 2X; 4X 30° Stereo Head				
Stage Plate					
SC6FG	Stage Plate Frosted	•	•	•	•
SC6BW	Stage Plate Black & White	•	•	•	•
Eyepieces					
SC6EP5	5X 15.5cm/36mm WF eyepiece with eye guard				
SC6EP10	10X 15.5cm/36mm WF eyepiece with eye guard		•		
SC6EP15	15X 15.5cm/36mm WF eyepiece with eye guard			•	
SC6EP20	20X 15.5cm/36mm WF eyepiece with eye guard	•			•
Objective Lens					
SC6OB5	5X Threaded Objective				
SC6OB15	15X Threaded Objective				
SC6OB20	20X Threaded Objective				
Optional Accessory					
SC6RP	Vision Scope Rechargeable Battery Pack	•	•	•	•
SC61EPR	Vision Scope Eyepiece reticle at 0.1mm				

Troubleshooting

This section provides some useful tips on how to solve common problems while setting up or using the VisionScope 2:

I can't see an image. I only see a partial image.

- Check to see if the power supply is plugged into an outlet/or charged if cordless.
- Check to see if the LED lights are turned on.
- Check to see if the dimmer switch is turned to allow the intensity of light to increase.
- Check to see if the objective lens is clicked into place.

It is difficult to get the image in focus.

- Adjust the coarse focus knobs slowly.
- Change the objective until you hear it click in place.
- Adjust the eyepieces and the diopter slowly until you see one focused image.



ken-a-vision®
KNOWLEDGE THROUGH VISION

www.kenavision.com

**Corporate Headquarters
Ken-A-Vision Mfg. Co., Inc.**

5615 Raytown Road
Kansas City, MO 64133 U.S.A.
Tel.: +1-816-353-4787
Fax: +1-816-358-5072
cs@ken-a-vision.com

**International Office
Ken-A-Vision International GmbH**

Alte Bohle 33
D-50321 Brühl, Germany
Tel: +49-2232-28197
Fax: +49-2232-200897
intl@ken-a-vision.com



© 2011 Ken-A-Vision Mfg. Co., Inc. All rights reserved. Other trademark names may be of their prospective owners. No part of the contents of this publication may be reproduced or transmitted in any form without the written permission of Ken-A-Vision Mfg. Co., Inc.
Ken-A-Vision Mfg. Co., Inc. reserves the right to make design improvements and other changes in accordance with the latest technology. There is no obligation to make changes in products already manufactured.